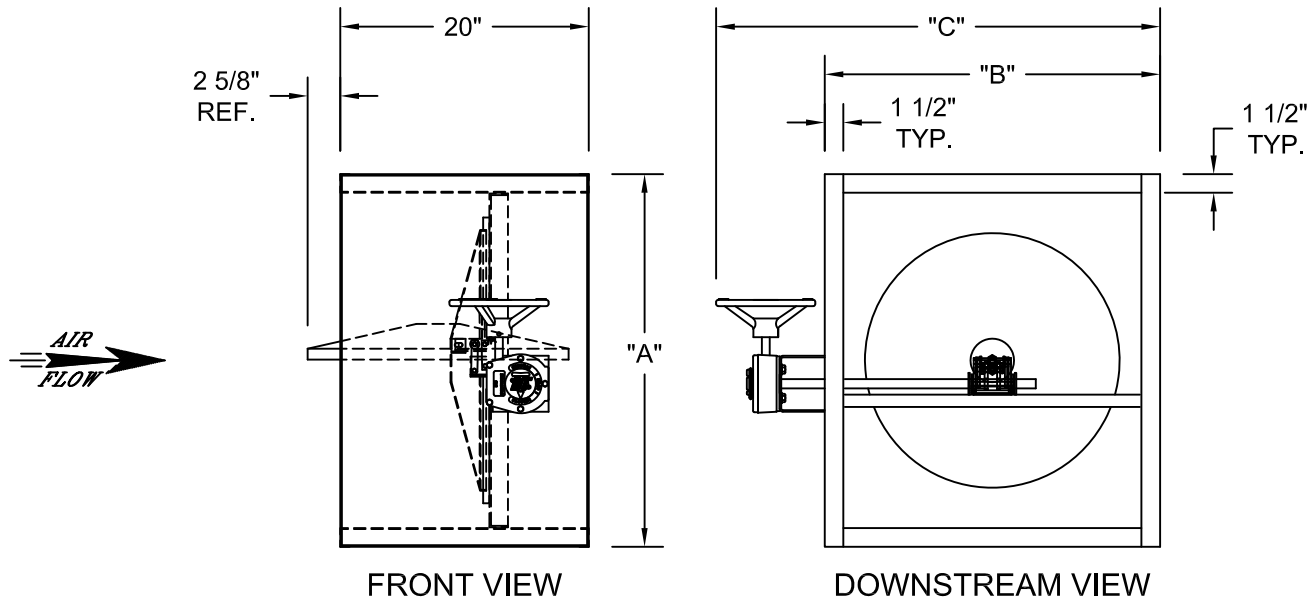


Dimensions - SBTD

| Model Number | Damper Diameter (inches) | Actual Dimensions (inches) | | | Shipping Weight (pounds) |
|---------------------|--------------------------|----------------------------|-----------|-----------|--------------------------|
| | | Height "A" | Width "B" | Depth "C" | |
| CF-1X1-SBTD-20-M-SS | 20 | 30 | 27 | 37 | 35 |
| CF-1X2-SBTD-20-M-SS | 20 | 30 | 51 | 61 | 45 |
| CF-1X3-SBTD-20-M-SS | 20 | 30 | 75 | 85 | 50 |
| CF-2X1-SBTD-20-M-SS | 20 | 60 | 27 | 37 | 60 |
| CF-2X2-SBTD-20-M-SS | 20 | 60 | 51 | 61 | 70 |
| CF-2X3-SBTD-20-M-SS | 20 | 60 | 75 | 85 | 80 |
| CF-3X1-SBTD-20-M-SS | 20 | 90 | 27 | 37 | 90 |
| CF-3X2-SBTD-20-M-SS | 20 | 90 | 51 | 61 | 100 |
| CF-3X3-SBTD-20-M-SS | 20 | 90 | 75 | 85 | 115 |
| CF-4X1-SBTD-20-M-SS | 20 | 120 | 27 | 37 | 130 |
| CF-4X2-SBTD-20-M-SS | 20 | 120 | 51 | 61 | 140 |
| CF-4X3-SBTD-20-M-SS | 20 | 120 | 75 | 85 | 155 |

General Notes:


1. Standard housing material is dual grade type 304/304L stainless steel. Body is constructed of 11 gauge and 14 gauge. (Optional) materials are dual grade type 316/316L stainless steel.
2. Unit is completely factory assembled.
3. Camfil's standard damper has a manual actuator as shown. There are many options when considering electric or pneumatic actuators. Examples: solenoid valves, switches, position indicators. Contact factory for assistance.
4. Typical applications: Isolate filters and contaminated components in bag-in/bag-out systems. SBTD dampers are also used in systems where decontamination of system components is part of the filter changing process. SBTD dampers are typically installed upstream and downstream of the air filters that need to be serviced.



Quality Assurance:

The Nuclear Series containment housings shall be manufactured under a Camfil Quality Assurance Program, including the Basic Requirements of ASME NQA-1, "Quality Assurance Program Requirements for Nuclear Facilities".

| CUSTOMER APPROVAL BLOCK | | | |
|---|-------|----------------|----------|
| YOUR APPROVAL OF THIS PRINT AUTHORIZES CAMFIL TO PROCEED WITH MATERIAL PROCUREMENT, TOOLING AND PRODUCT FABRICATION. ANY CHANGES MADE AFTER APPROVAL MAY INCUR FURTHER EXPENSES TO THE CUSTOMER | | | |
| <input type="checkbox"/> OK AS IS <input type="checkbox"/> OK WITH REVISIONS <input type="checkbox"/> SEND REVISED DWG. | | | |
| SIGNATURE/DATE | | | |
| APPROVED BY: | DATE: | DRAWN BY: | DATE: |
| | | LEB | 12-10-14 |
| SHEET | | DRAWING NUMBER | |
| 1 of 1 | | SBTD-SD | |
| REV. | | | |
| | | 0 | |



© Camfil <http://www.camfil.us>

DESCRIPTION
SBTD
SQUARE BUBBLE TIGHT DISH DAMPER